

# 77410

## Katrin Plastic Dispenser Medium For Paper Hand Towels Folded, White

- Katrin Hand Towel M Functions with all Katrin folding tissue paper types: C-Fold, Non Stop, One Stop and Zig Zag with a maximum width of 240 mm
- The cover opens upwards for Hand Towel M for easy refilling
- Supporting ribs support the stack of tissues in the Hand Towel M Dispenser, making dispensing lighter and hold the stack in place when refilling the dispenser
- The lock can be used with or without a key
- Main raw materials of major plastic parts and lock: ABS (Acrylonitrile butadiene styrene), PC (polycarbonate), POM (polyoxymethylene)
- Katrin Inclusive dispensers are resistant to high temperatures
- Comply with UL94 Fire Safety and Fire Protection regulations (EU)




**ISO 9001**    **ISO 14001**

**Country of Origin: Romania**

### Product

Length/Depth	142 mm	Colour	White
Width	301 mm	Gross weight	1.550 kg
Height	445 mm		

### Trading unit

Length/Depth	456 mm	Gross weight	1.845 kg	EAN	 6 4 14301 0774 10
Width	310 mm	Consumer packs/ trading unit	1		
Height	163 mm				

## Pallet

Length/Depth 1,200 mm

Gross weight 89.725 kg

EAN

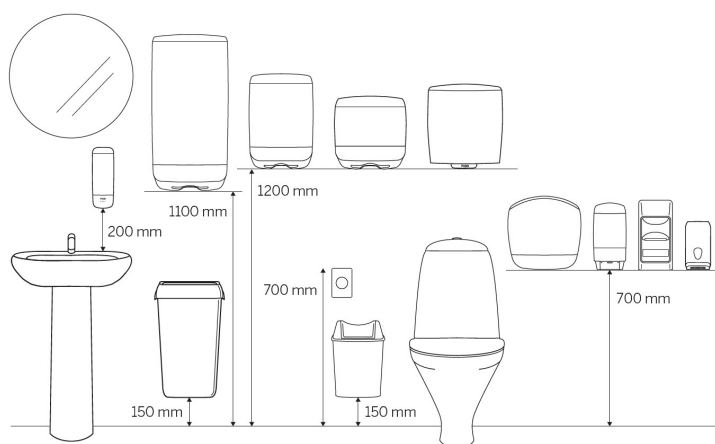


Width 800 mm

Trading units / pallet 35

Height 1,128 mm

## Measurements and Installing



## Related products

Selection from all countries. Please refer to web page for market-specific availability.



**343367**

Katrin C-fold Paper Towels  
100 Sheets 2-Ply, Yellow



**343955**

Katrin C-fold Paper Towels  
150 Sheets 2-Ply



**73542**

Katrin Plus C-fold Paper  
Towels 100 Sheets 2-Ply



**61600**

Katrin Plus W-fold Paper  
Towels Non-Stop Long 90  
Sheets 3-Ply, Handy Pack



**61563**

Katrin Plus W-fold Paper  
Towels Non-Stop Long  
Wide 90 Sheets 3-Ply,  
Handy Pack



**87181**

Katrin Plus Z-fold Paper  
Towels Non-Stop Medium  
135 Sheets 2-Ply, Handy  
Pack



**38893**

Katrin Plus Z-fold Paper  
Towels Non-Stop Medium  
EasyFlush 150 Sheets  
2-Ply



**87303**

Katrin Plus Z-fold Paper  
Towels One-Stop Medium  
144 Sheets 2-Ply



**61594**

Katrin W-fold Paper Towels  
Non-Stop Long 120 Sheets  
2-Ply, Handy Pack



**95193**

Katrin W-fold Paper Towels  
Non-Stop Long 135 Sheets  
2-Ply, Handy Pack



**61549**

Katrin W-fold Paper Towels  
Non-Stop Long Wide 120  
Sheets 2-Ply, Handy Pack



**61556**

Katrin W-fold Paper Towels  
Non-Stop Long Wide 90  
Sheets 3-Ply, Handy Pack



**61570**

Katrin Z-fold Paper Towels  
Non-Stop Medium Wide  
160 Sheets 2-Ply, Handy  
Pack

This leaflet is provided for information purposes only and no liability of any kind is accepted for potential errors or inaccuracies. Metsä Tissue reserves the right to alter its products, product information and product range without any notice.