

77397

Katrin Plastic Dispenser 1000 ml For Commercial Hand Wash, Black

- Same dispenser can be used for Liquid Wash, Foam Wash, Liquid Wash Sanitizer, Toilet Seat Sanitizer, Shower Gel
- The lock can be used with or without a key
- Easy to refill with new soap cartridge system
- The full-face push cover makes using the dispenser effortless for all people
- Braille instructions for visually impaired people
- Main raw materials of major plastic parts and lock: ABS (Acrylonitrile butadiene styrene), PC (polycarbonate), POM (polyoxymethylene)
- Katrin Inclusive dispensers are resistant to high temperatures
- Comply with UL94 Fire Safety and Fire Protection regulations (EU)



ISO 9001 **ISO 14001**

Country of Origin: Romania

Product

Length/Depth	125 mm	Colour	Black
Width	100 mm	Gross weight	0.447 kg
Height	290 mm		

Trading unit

Length/Depth	138 mm	Gross weight	0.542 kg	EAN
Width	108 mm	Consumer packs/trading unit	1	
Height	303 mm			



Pallet

Length/Depth 1,200 mm

Gross weight 127.588 kg

EAN

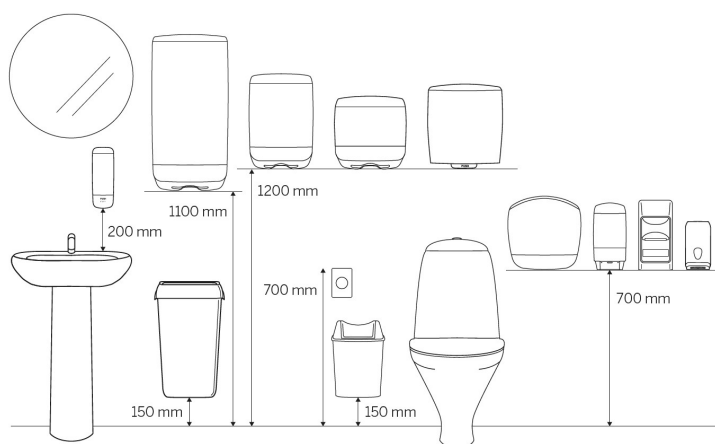


Width 800 mm

Trading units / pallet 189

Height 1.059 mm

Measurements and Installing



Related products

Selection from all countries. Please refer to web page for market-specific availability.



3136

Katrin Commercial Hand
Wash Foam 1000 ml, Clean



86450

Katrin Commercial Hand
Wash Foam 1000 ml,
Green



88110

Katrin Commercial Hand
Wash Liquid 1000 ml,
Clean



86511

Katrin Commercial Hand
Wash Liquid 1000 ml,
Green



33430

Katrin Hand Sanitizer Foam
1000 ml



32440

Katrin Hand Sanitizer Gel
1000 ml



89346

Katrin Hand Sanitizer Gel
1000 ml



47550

Katrin Head and Body
Wash 1000 ml

This leaflet is provided for information purposes only and no liability of any kind is accepted for potential errors or inaccuracies. Metsä Tissue reserves the right to alter its products, product information and product range without any notice.