

77359

# Katrin Plastic Dispenser 500 ml For Commercial Hand Wash, Black

- Same dispenser can be used for Liquid Wash, Foam Wash, Liquid Wash Sanitizer, Toilet Seat Sanitizer, Shower Gel
- The lock can be used with or without a key
- Easy to refill with new soap cartridge system
- The full-face push cover makes using the dispenser effortless for all people
- Braille instructions for visually impaired people
- Main raw materials of major plastic parts and lock: ABS (Acrylonitrile butadiene styrene), PC (polycarbonate), POM (polyoxymethylene)
- Katrin Inclusive dispensers are resistant to high temperatures
- Comply with UL94 Fire Safety and Fire Protection regulations (EU)




**ISO 9001    ISO 14001**

**Country of Origin: Romania**

## Product

Length/Depth	125 mm	Colour	Black
Width	100 mm	Gross weight	0.319 kg
Height	205 mm		

## Trading unit

Length/Depth	134 mm	Gross weight	0.4 kg	EAN	
Width	108 mm	Consumer packs/trading unit	1		
Height	217 mm				

## Pallet

Length/Depth 1,200 mm

Gross weight 151.15 kg

EAN

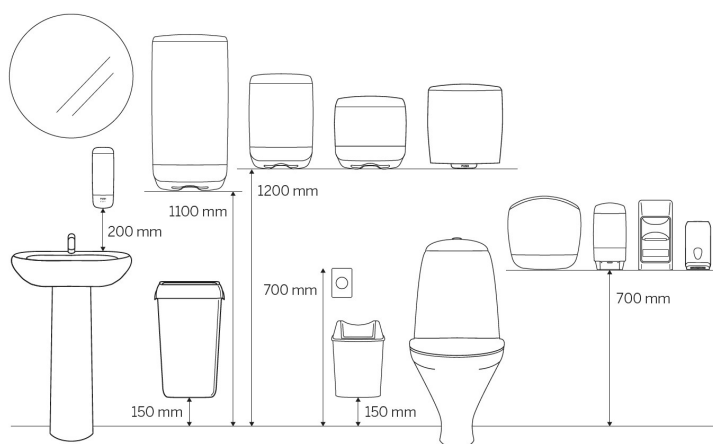


Width 800 mm

Trading units / pallet 315

Height 1,235 mm

## Measurements and Installing



## Related products

Selection from all countries. Please refer to web page for market-specific availability.



37780

Katrin Commercial Hand  
Wash Foam 500 ml, Clean



86481

Katrin Commercial Hand  
Wash Foam 500 ml, Green



57870

Katrin Commercial Hand  
Wash Liquid 500 ml, Clean



86542

Katrin Commercial Hand  
Wash Liquid 500 ml, Green



47543

Katrin Head and Body  
Wash 500 ml



954311

Katrin Toilet Seat Sanitizer  
500 ml

This leaflet is provided for information purposes only and no liability of any kind is accepted for potential errors or inaccuracies. Metsä Tissue reserves the right to alter its products, product information and product range without any notice.